

MOEN

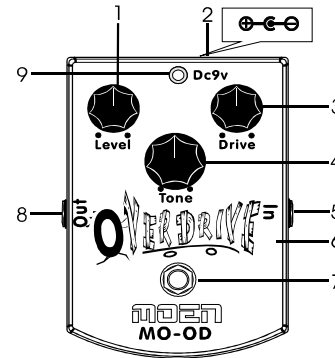
Guitar compact effect series

MO-OD Overdrive

Features:

1. Offers smooth, natural overdrive similar to a full-up tube amplifier. Incredibly transparent, responds to individual playing dynamics and lets the true tone of your instrument shine through.
2. Distortion/Tone/Level knobs.
3. Metal enclosure.
4. True bypass stomp switch.
5. Size: 142*98*37 mm
6. Weight: 500g

BEIJING MOEN TECHNOLOGY CO., LTD.



1. LEVEL

- Output Level Knob.

2. DC 9V

- Power Jack, Positive Ground DC 9V.

3. DRIVE

- Gain Knob .

4. TONE

- Sharp The Tone In Clockwise.

5. IN

- Guitar Signal Input Jack.

6. ENCLOSURE

- Solid Metal Enclosure.

7. FOOT SWITCH

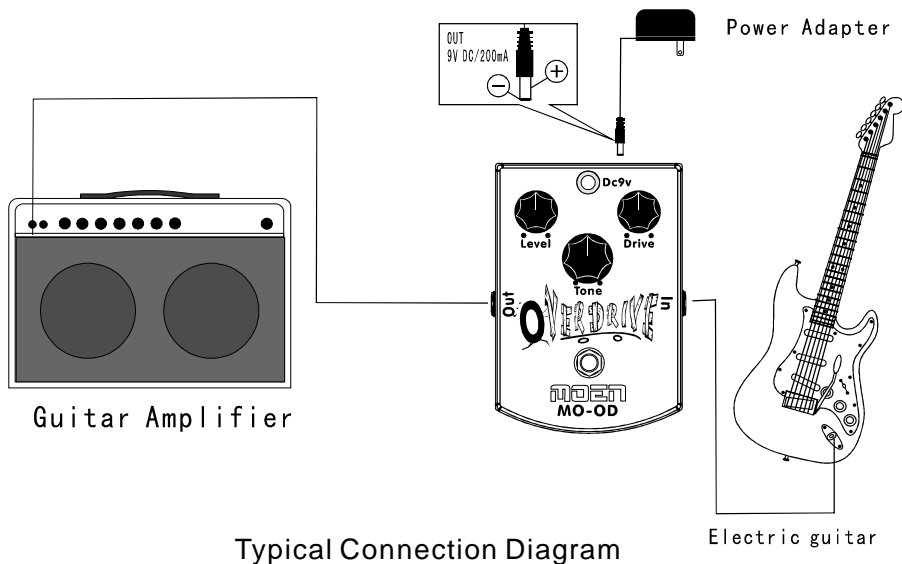
- Stomp True Bypass Switch.

8. OUT

- Guitar Signal Output Jack.

9. LED INDICATOR

- ON/Effected, OFF-Bypassed.



Typical Connection Diagram

Note: The power will be off when the input plug is disconnected.