



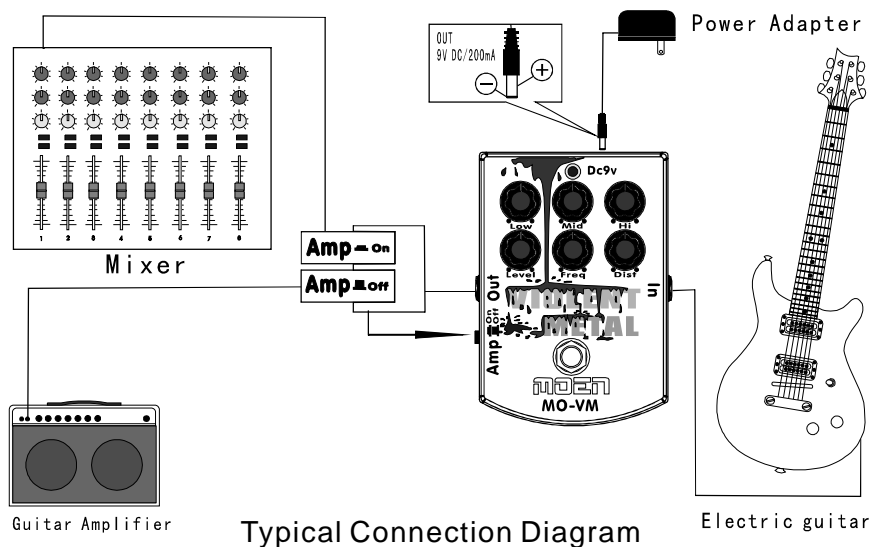
## Guitar compact effect series

### MO-VM Violent Metal

#### Features:

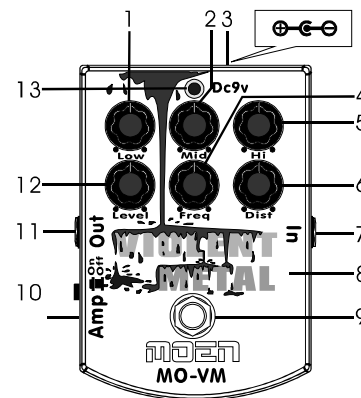
- Special designed “V” type EQ circuit produces insane sound.
- HIGH/MID/LOW with MID deviating Eqing creates all kinds of metal tones.
- Build-in Cabinet simulator provide boost option it's also perfect for live.
- Electrical stomp switch.

BEIJING MOEN TECHNOLOGY CO., LTD.



Typical Connection Diagram

Note: The power will be off when the input plug is disconnected.



- 1. LOW**  
- Low Frequency Equalizer Knob.
- 2. MID**  
- MID Frequency Equalizer Knob.
- 3. DC 9V**  
- Power Jack, Positive Ground DC 9V.
- 4. FREQ**  
- MID Frequency Deviating Equalizer Knob.
- 5. HI**  
- High Frequency Equalizer Knob.
- 6. DIST**  
- Distortion Gain Knob.
- 7. IN**  
- Guitar Signal Input Jack.
- 8. ENCLOSURE**  
- Solid Metal Enclosure.
- 9. STOMP SWITCH**  
- Effect / Bypass Switch.
- 10. AMP ON/OFF**  
- Build in cablinet Simulator ON/OFF Switch.
- 11. OUT**  
- Guitar Signal Output Jack.
- 12. LEVEL**  
- Output Level Knob.
- 13. LED INDICATOR**  
- ON/Effected, OFF-Bypassed.